



ENGLISH

DEUTSCH

FRANÇAIS

ITALIANO

ESPAÑOL

РУССКИЙ

中文

INPUT CARD FOR A JVC MONITOR

BEDIENUNGSANLEITUNG: EINGANGSKARTE FÜR JVC MONITORE
MANUEL D'INSTRUCTIONS: CARTE D'ENTRÉE POUR MONITEURS JVC
ISTRUZIONI: SCHEDA DI INGRESSO PER MONITOR JVC
MANUAL DE INSTRUCCIONES: TARJETA DE ENTRADA PARA UN MONITOR JVC
ИНСТРУКЦИЯ ПО ЭКСПЛУАТАЦИИ:

使用说明书:

МОДУЛЬ ВХОДОВ ДЛЯ МОНИТОРА JVC
JVC 显示器用输入卡

IF-CF01CMG

COMPONENT/RGB INPUT CARD

IF-CF01RBG

COMPONENT/RGB ACTIVE THROUGH CARD

IF-CF21HDG

HD/SD SDI INPUT CARD

INSTRUCTIONS



INPUT CARD FOR A JVC MONITOR

IF-CF01CMG

COMPONENT/RGB INPUT CARD

INSTRUCTIONS

IF-CF01RBG

COMPONENT/RGB ACTIVE THROUGH CARD

IF-CF21HDG

HD/SD SDI INPUT CARD

Thank you for purchasing this JVC Input Card. In order to take full advantage of the card's capabilities, please read and follow all instructions carefully before installing and using the card. Retain this booklet for future reference.

Precautions



Before installing this Input Card in your monitor, please read the Safety Precautions included in your monitor's user manual.

FCC NOTICE

■ For IF-CF01CMG and IF-CF01RBG

CAUTION: Changes or modifications not approved by JVC could void the user's authority to operate the equipment.

NOTE: This equipment has been tested and found to comply with the limits for a Class B digital device, pursuant to Part 15 of the FCC Rules. These limits are designed to provide reasonable protection against harmful interference in a residential installation. This equipment generates, uses and can radiate radio frequency energy and, if not installed and used in accordance with the instructions, may cause harmful interference to radio communications. However, there is no guarantee that interference will not occur in a particular installation. If this equipment does cause harmful interference to radio or television reception, which can be determined by turning the equipment off and on, the user is encouraged to try to correct the interference by one or more of the following measures:

- Reorient or relocate the receiving antenna.
- Increase the separation between the equipment and receiver.
- Connect the equipment into an outlet on a circuit different from that to which the receiver is connected.
- Consult the dealer or an experienced radio/TV technician for help.

■ For IF-CF21HDG

CAUTION: Changes or modifications not approved by JVC could void the user's authority to operate the equipment.

NOTE: This equipment has been tested and found to comply with the limits for a Class A digital device, pursuant to Part 15 of the FCC Rules. These limits are designed to provide reasonable protection against harmful interference when the equipment is operated in a commercial environment. This equipment generates, uses, and can radiate radio frequency energy and, if not installed and used in accordance with the instruction manual, may cause harmful interference to radio communications. Operation of this equipment in a residential area is likely to cause harmful interference in which case the user will be required to correct the interference at his own expense.

EUROPE EMC STANDARD NOTICE (For IF-CF21HDG only)

Warning: This is a class A product. In a domestic environment this product may cause radio interference in which case the user may be required to take adequate measure.

EMC Supplement (For IF-CF21HDG only)

This equipment is in conformity with the provisions and protection requirements of the corresponding European Directives. This equipment is designed for professional video appliances and can be used in the following environments:

- Controlled EMC environment (for example purpose built broadcasting or recording studio), and the rural outdoors environment (far away from railways, transmitters, overhead power lines, etc.)

These input cards are only for use with specific monitors.

Consult your dealer for the compatible monitors.

Information for Users on Disposal of Old Equipment



[European Union]

This symbol indicates that the electrical and electronic equipment should not be disposed as general household waste at its end-of-life. Instead, the product should be handed over to the applicable collection point for the recycling of electrical and electronic equipment for proper treatment, recovery and recycling in accordance with your national legislation.

Attention:

This symbol is only valid in the European Union.

By disposing of this product correctly, you will help to conserve natural resources and will help prevent potential negative effects on the environment and human health which could otherwise be caused by inappropriate waste handling of this product. For more information about collection point and recycling of this product, please contact your local municipal office, your household waste disposal service or the shop where you purchased the product.

Penalties may be applicable for incorrect disposal of this waste, in accordance with national legislation.

(Business users)

If you wish to dispose of this product, please visit our web page www.jvc-europe.com to obtain information about the take-back of the product.

[Other Countries outside the European Union]

If you wish to dispose of this product, please do so in accordance with applicable national legislation or other rules in your country for the treatment of old electrical and electronic equipment.

Before Installation

■ Accessories

- Label (x 1): For placing to the rear panel and the remote control of the monitor after installing the Input Card.
- Slot cover* (x 1): For covering the blank slot.
* Not supplied for IF-CF01RBG

■ Preparation

- Wear gloves to protect your hands from metal parts on the Input Card's board.
- You will need a 6 mm Phillips screwdriver.
- Turn off the monitor's main power and unplug the power cable from the AC outlet.
- Place the monitor with its LCD panel side down on a soft cloth so as not to damage the LCD panel.

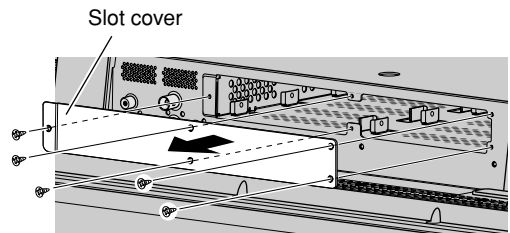
■ Cautions

- Do not touch the terminals or board pattern of the Input Card to keep it from being damaged by static electricity.
- Do not damage the Input Card's connection terminal.
- Do not put anything into the Input Card's holes or intakes.
- Do not force the Input Card into the monitor's slot.
- Attach the slot cover on the monitor's slot in which no Input Card is installed.
- Attach the Input Card before mounting the monitor on the stand or wall mounting unit.

Installation

■ Installation procedure

- 1. Remove the slot cover from the slot on the bottom side of the monitor.**



The monitor in the illustration is GM-H40L1G.

Installation (continued)

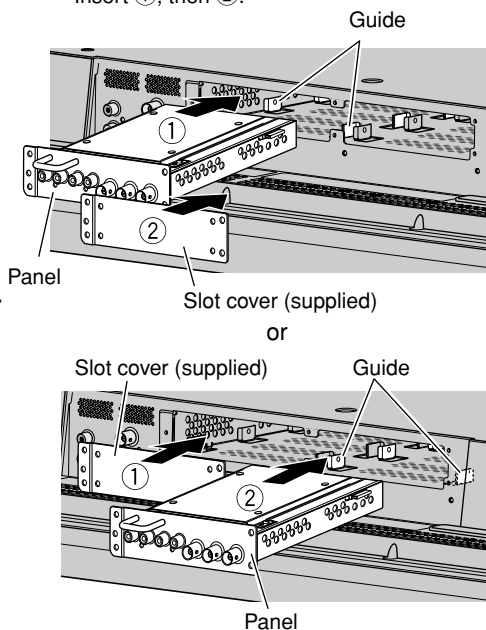
2. Insert the Input Card into the slot, fitting into the guides inside the slot, so that its panel touches the bottom of the monitor.

For IF-CF01CMG and IF-CF21HDG:

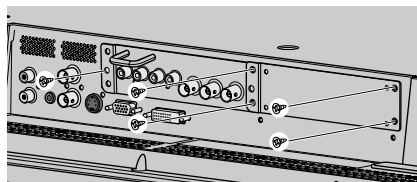
You can install the Input Card(s) into either left or right slot. When installing, follow the procedure below.

- **When installing two Input Cards:**
Install either of Input Cards into the left slot first.
- **When installing only one Input Card:**
You need to attach the supplied slot cover to the blank slot. Install either Input Card or the supplied slot cover into the left slot first as illustrated on the right. (The Input Card in the illustration is IF-CF21HDG.)

Ex.: When installing only one Input Card
Insert ①, then ②.

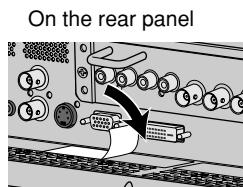


3. Secure the Input Card by using the screws removed in Step 1 on the previous page.



After installation

- Place the supplied labels on the rear panel and the remote control of the monitor as illustrated on the right.
 - On the rear panel: Place the label on the name of the slot into which you have installed the Input Card.
 - On the remote control: Place the label on the printing of the corresponding input select buttons.
- Make sure the Input Card is correctly recognized by "INPUT CONFIGURATION" ("INPUT C" – "INPUT F") on the main menu of the monitor.

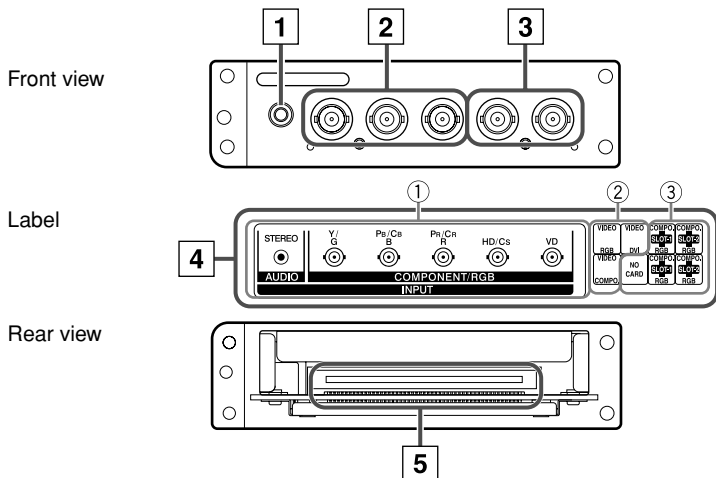


On the remote control



Controls and Features

■ IF-CF01CMG (Component/RGB Input Card)



1 Audio signal input terminal

Accepts analog audio signals.

NOTE:

- This terminal cannot be used for both RGB and component signals at the same time.

2 Component/RGB signal input terminals

Accepts component (color difference) or RGB signals.

➔ Select input by using the button on the monitor.

Select component signal: INPUT C (SLOT-1)/E (SLOT-2)

Select RGB signal: INPUT D (SLOT-1)/F (SLOT-2)

3 Synchronized signal input terminals

When RGB signal is selected, accepts the vertical, horizontal or composite synchronized signals.

➔ When using these terminals, "SYNC TERM." can be switched between "HIGH" and "LOW." Refer to your monitor instruction manual for more information.

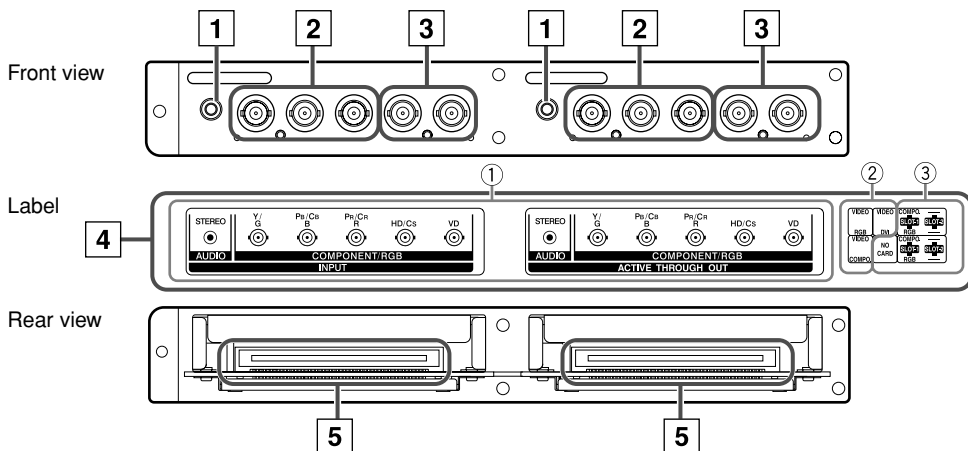
4 Label (see page 5)

- ① **On the rear panel:** Place the label on the name of the slot into which you have installed the Input Card.
- ② **On the remote control:** When the input signal type for input B is fixed (RGB, COMPO., or DVI), place the corresponding label on the printing of the input select buttons A and B.
- ③ **On the remote control:** Place the label on the printing of the input select buttons (C/D or E/F) for the slot into which you have installed the Input Card. ("NO CARD" is for a blank slot.)

5 Connection terminal (on the rear side)

Attach to the connection terminal in the slot of your monitor.

■ IF-CF01RBG (Component/RGB Active Through Card)



- 1 Audio signal input (INPUT)/output (ACTIVE THROUGH OUT) terminals**
Accepts/outputs analog audio signals.

NOTE:

- These terminals cannot be used for both RGB and component signals at the same time.

- 2 Component/RGB signal input (INPUT)/output (ACTIVE THROUGH OUT) terminals**

Accepts/outputs component (color difference) or RGB signals.

➔ Select input by using the button on the monitor.

Select component signal: INPUT C

Select RGB signal: INPUT D

- 3 Synchronized signal input (INPUT)/output (ACTIVE THROUGH OUT) terminals**
When RGB signal is selected, accepts the vertical, horizontal or composite synchronized signals.

➔ When using these terminals, "SYNC TERM." can be switched between "HIGH" and "LOW." Refer to your monitor instruction manual for more information.

- The synchronized signals are output only when synchronized signals of TTL level are input.

- 4 Label (see page 5)**

1 On the rear panel: Place the INPUT label to SLOT-1 and the ACTIVE THROUGH OUT label to SLOT-2.

2 On the remote control: When the input signal type for input B is fixed (RGB, COMPO., or DVI), place the corresponding label on the printing of the input select buttons A and B.

3 On the remote control: Place the label on the printing of the input select buttons (C – F).

- 5 Connection terminal (on the rear side)**

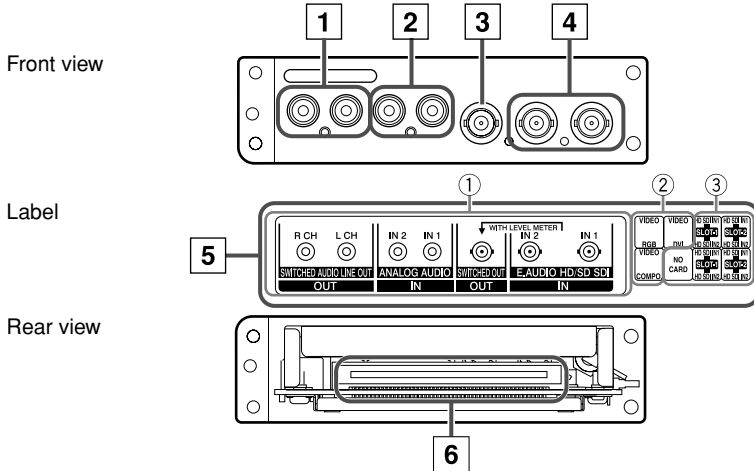
Attach to the connection terminal in the slot of your monitor.

NOTE:

- The wired output is protected against signal deterioration when multiple monitors are connected.

Controls and Features (continued)

■ IF-CF21HDG (HD/SD SDI Input Card)



1 Audio signal output terminals (SWITCHED AUDIO LINE OUT)

Decodes EMBEDDED AUDIO signals and outputs them as analog signals.

- ➔ The audio channel output from the L CH or R CH is switched by "AUDIO SETTING" on the menu of the monitor. Refer to your monitor instruction manual for more information.
- ➔ When EMBEDDED AUDIO signals are not input, the signals input to the ANALOG AUDIO (2) are output.

NOTES:

- When the input signal from the monitor's terminal or another Input Card is selected for the monitor, the SWITCHED AUDIO LINE OUT terminal outputs the audio signal and audio channel selected last from among the inputs on this card (IN 1 or IN 2).
- No signal is output when the monitor is turned off or in stand-by mode.

2 Audio signal input terminals (ANALOG AUDIO)

Accepts stereo audio signals.

3 SWITCHED OUT terminal (1 line)

Outputs the re-clocked signal. The input signal currently selected is re-clocked and output from this terminal.

NOTES:

- When the input signal from the monitor's terminal or another Input Card is selected for the monitor, the SWITCHED OUT terminal outputs the re-clocked signal selected last from among the inputs on this card (IN 1 or IN 2).
- No signal is output when the monitor is turned off or in stand-by mode.

4 E. AUDIO HD/SD SDI signal input terminals (IN 1, IN 2)

Accepts an HD SDI signal and an SD SDI signal.

Also accepts EMBEDDED AUDIO signals including up to 8 audio channels with the sampling frequency of 48 kHz.

➔ Select input by using the button on the monitor.

Select IN 1 terminal: INPUT C (SLOT-1)/E (SLOT-2)

Select IN 2 terminal: INPUT D (SLOT-1)/F (SLOT-2)

➔ **About the audio level meter function**

Use the audio level meter display to see the status of the EMBEDDED AUDIO signals currently being input. Use the “AUDIO SETTING” on the main menu of the monitor to set the audio level meter display on or off, and its various settings. Refer to your monitor instruction manual for more information.

NOTE:

- The type of signal coming through the IN 1 and IN 2 terminals is automatically recognized—HD SDI or SD SDI signal. Note, however, that input lines are not changed automatically.

5 Label (see page 5)

- ① **On the rear panel:** Place the label on the name of the slot into which you have installed the Input Card.
- ② **On the remote control:** When the input signal type for input B is fixed (RGB, COMPO., or DVI), place the corresponding label on the printing of the input select buttons A and B.
- ③ **On the remote control:** Place the label on the printing of the input select buttons (C/D or E/F) for the slot into which you have installed the Input Card. (“NO CARD” is for a blank slot.)

6 Connection terminal (on the rear side)

Attach to the connection terminal in the slot of your monitor.

Specifications

■ IF-CF01CMG

Type:	Component/RGB Input Card
Target monitors:	Consult your dealer.
Inputs:	Video signal: 1 line, BNC x 3, 75 Ω termination Component (Y, P _B /C _B , P _R /C _R) or RGB G, Y: 1.0 V(p-p) (including sync) B, R, P _B /C _B , P _R /C _R : 0.7 V(p-p) Synchronized signal: 1 line, BNC x 2, 75 Ω /1 k Ω termination switchable, positive/negative polarity HD/Cs: 0.3 V(p-p) – 5.0 V(p-p) VD: 1.0 V(p-p) – 5.0 V(p-p) Audio signal: 1 line, Stereo mini jack x 1 L/R: 0.5 V(rms)
Format:	
Component signal:	480/60i, 576/50i, 480/60p, 576/50p, 720/60p, 720/50p, 1035/60i, 1080/60i, 1080/50i, 1080/24psF
RGB signal:	480/60i, 576/50i, PC98, VGA400-70, VGA480-60, WVGA-60, VGA480-72, SVGA-60, XGA-60, WXGA-60, XGA-70, XGA-75, XGA-85*, XGA+-75*, SXGA-60*, SXGA-75*, UXGA-60*, Mac 13 inch, Mac 16 inch, Mac 19 inch, Mac 21 inch* * The dot clock frequencies of these signals are so high that these signals are compressed and thin lines may not be displayed.
Required slots:	1
Weight:	0.4 kg (0.9 lbs)
Dimensions (W x H x D):	133 mm x 34.5 mm x 185 mm (5 1/4 inch x 1 3/8 inch x 7 3/8 inch)

■ Dimensions (see the back cover.)

■ IF-CF01RBG

Type:	Component/RGB Active Through Card
Target monitors:	Consult your dealer.
Inputs:	Video signal: 1 line, BNC x 3, 75 Ω termination Component (Y, P _B /C _B , P _R /C _R) or RGB G, Y: 1.0 V(p-p) (including sync) B, R, P _B /C _B , P _R /C _R : 0.7 V(p-p) Synchronized signal: 1 line, BNC x 2, 75 Ω /1 k Ω termination switchable, positive/negative polarity HD/Cs: 0.3 V(p-p) – 5.0 V(p-p) VD: 1.0 V(p-p) – 5.0 V(p-p) Audio signal: 1 line, Stereo mini jack x 1 L/R: 0.5 V(rms)

Outputs (active through out):

Video signal: 1 line, BNC x 3, 75 Ω termination Component (Y, P _B /C _B , P _R /C _R) or RGB G, Y: 1.0 V(p-p) (including sync) B, R, P _B /C _B , P _R /C _R : 0.7 V(p-p)
Synchronized signal: 1 line, BNC x 2, 75 Ω termination HD/Cs: 2.0 V(p-p) VD: 2.0 V(p-p)
Audio signal: 1 line, Stereo mini jack x 1 L/R: 0.5 V(rms)

Format:

Component signal:	480/60i, 576/50i, 480/60p, 576/50p, 720/60p, 720/50p, 1035/60i, 1080/60i, 1080/50i, 1080/24psF
RGB signal:	480/60i, 576/50i, PC98, VGA400-70, VGA480-60, WVGA-60, VGA480-72, SVGA-60, XGA-60, WXGA-60, XGA-70, XGA-75, XGA-85, XGA+-75*, SXGA-60*, SXGA-75*, UXGA-60*, Mac 13 inch, Mac 16 inch, Mac 19 inch, Mac 21 inch* * When these signals are input, thin lines may become obscured because their frequencies are higher than the screen resolution of the monitor.

Required slots:	2
Weight:	0.7 kg (1.5 lbs)
Dimensions (W x H x D):	256 mm x 34.5 mm x 185 mm (10 1/8 inch x 1 3/8 inch x 7 3/8 inch)

■ Dimensions (see the back cover.)

Specifications (continued)

■ IF-CF21HDG

Type:	HD/SD SDI Input Card
Target monitors:	Consult your dealer.
Inputs/Outputs:	Digital signal input (compatible with EMBEDDED AUDIO) E.AUDIO HD/SD SDI (IN 1, IN 2): auto-detection, 2 lines, BNC x 2 Digital signal output (compatible with EMBEDDED AUDIO) SWITCHED OUT: 1 line switched out, BNC x 1 Analog audio input ANALOG AUDIO (IN 1, IN 2): 2 lines, RCA x 2, 0.5 V(rms) Analog audio output SWITCHED AUDIO LINE OUT (R CH, L CH): 2 lines, RCA x 2 (250 mV(rms), high impedance (-18 dB FS))
Compliant signal format:	480/60i, 576/50i, 720/60p, 720/50p, 1035/60i, 1080/60i, 1080/50i, 1080/24psF, 1080/24p, 1080/30p
Format:	HD SDI: BTA S-004B, BTA S-006B, SMPTE292M, SMPTE299M SD SDI: SMPTE259M, SMPTE272M
Required slots:	1
Weight:	0.4 kg (0.9 lbs)
Dimensions (W x H x D):	133 mm x 34.5 mm x 185 mm (5 1/4 inch x 1 3/8 inch x 7 3/8 inch)

■ Dimensions (see the back cover.)

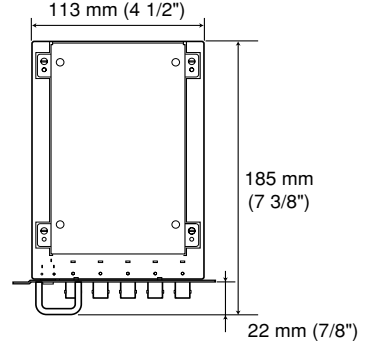
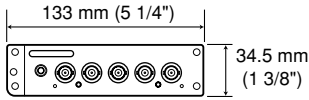
■ Dimensions/Abmessungen/Dimensions/Dimensioni/Dimensions/
Размеры/ 外型尺寸

Front View (Terminal Side)
Vorderansicht (Anschlussleiste)
Vue de face (Côté prises)
Vista frontale (Lato terminali)
Vista frontal (Lado del terminal)
Вид спереди (сторона с разъемами)
前视图 (端子侧)

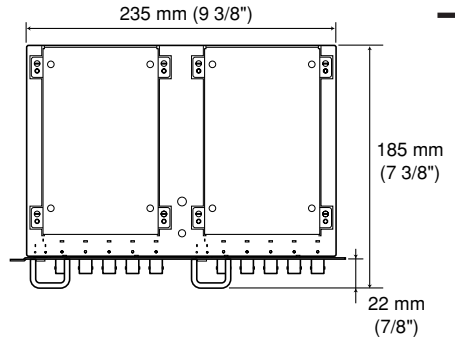
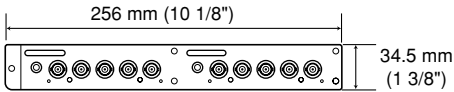
Top View
Draufsicht
Vue latérale
Vista dall'alto
Vista superior
Вид сверху
顶视图

INPUT CARD FOR A JVC MONITOR

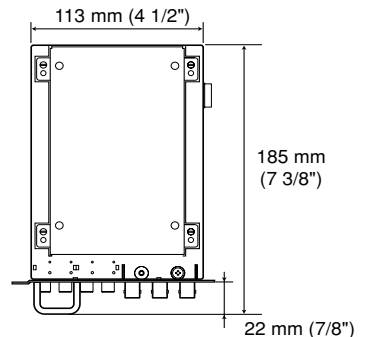
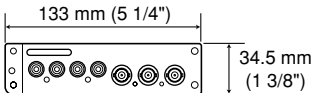
IF-CF01CMG



IF-CF01RBG



IF-CF21HDG



JVC